

BACK PRESSURE REGULATOR

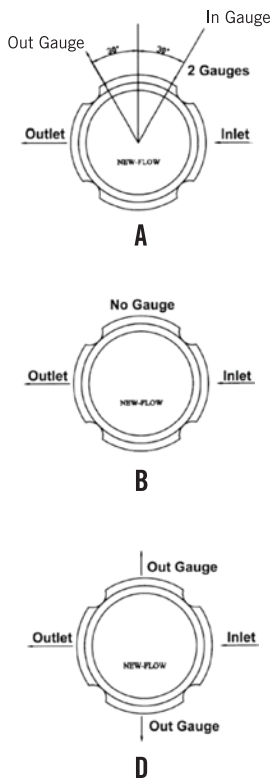
BPR SERIES-10

BPR Series-10 designed for control and relief upstream line pressure to apply in instrumentation systems, analyzer system and pilot plant.

Technical Data

- For using gas and liquid
- Inlet pressure: 250 Psig maximum
- Adjustable inlet relief pressure in ranges: 3~35; 6~85; 17~125; 20~216 Psig
- Operating temperature: -40 to 175°C
- Diaphragm material: 316L stainless steel
- Body material: 316L stainless steel
- Seat material: Viton, FFKM available
- CV flow coefficients: 1.0
- Process connection: ¼" and ½"NPT female
- Two gauge connection ports are: ¼"NPT female
- Use no oil: available

Standard Port Configuration



Plastic Knob

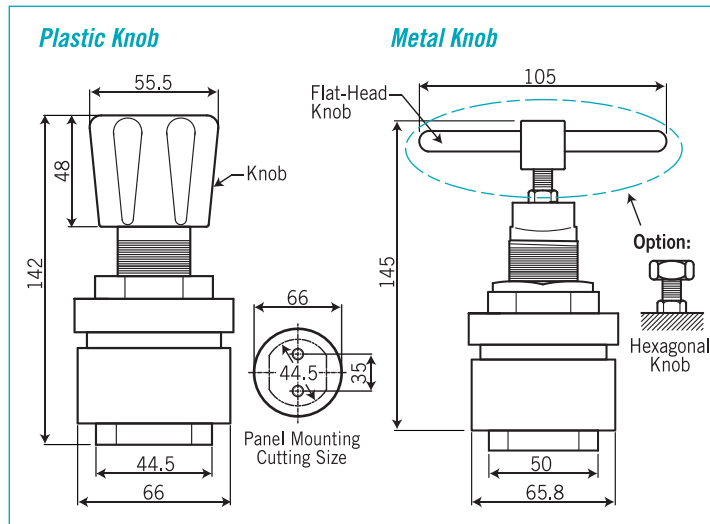


Metal Knob

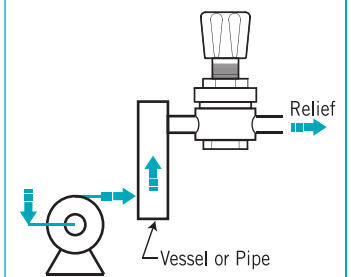
Approvals:

CE 1128

Dimensions-mm



Installation Mode



Ordering Information

BPR	Code	Type
	10	Back Pressure Regulator
		Code Body Material
	1	316L stainless steel
		Code Knob Material
	A	Plastic
	B	Metal (Flat-Head)
	C	Metal (Hexagonal)
		Code Max. Inlet Pressure
	1	250 Psig
		Code Inlet Relief Pressure Range
	(0)	3~35 Psig
	(1)	6~85 Psig
	(2)	17~125 Psig
	(3)	20~216 Psig
		Code Seat Material
	A	Viton
	B	FFKM
		Code Port Configuration
	A	B
	D	
		Code Process Connection
	A	¼"NPT(F)
	B	½"NPT(F)

Complete Ordering Code