

DIFFERENTIAL PRESSURE GAUGE

DPH SERIES

Weather Proof, Piston Type
Range Available: 0-0.6-14 kg/cm² (0-9-200PSI)

DPH series consist of high and low pressure ports. Spring magnet couple with pointer. Differential pressure indicated on dial due to ΔP pressure of high side and low side be made from magnet couple with pointer.

Technical Data

- Dial Size:** ø4", ø6" available
- Accuracy:** ±2% F.S (on rising pressure)
- Housing Material:** 316 stainless steel
- Housing Protection:** IP66
- Pressure Element:** Wetted parts all in SS316
- Process Connection:** ¼"NPT(F); option with adaptor available
- Working Pressure:** 200 kg/cm²
(Both of High & Low side must be pressured on line at the same time.)
- Working Temperature:** max. 80°C

Range Selection Table

Code	Range	
	psi	kg/cm ²
09R	0~9	0~0.6
11R	0~11	0~0.75
14R	0~14	0~1
30R	0~30	0~2
40R	0~40	0~2.5
60R	0~60	0~4
100R	0~100	0~7
140R	0~140	0~10
200R	0~200	0~14



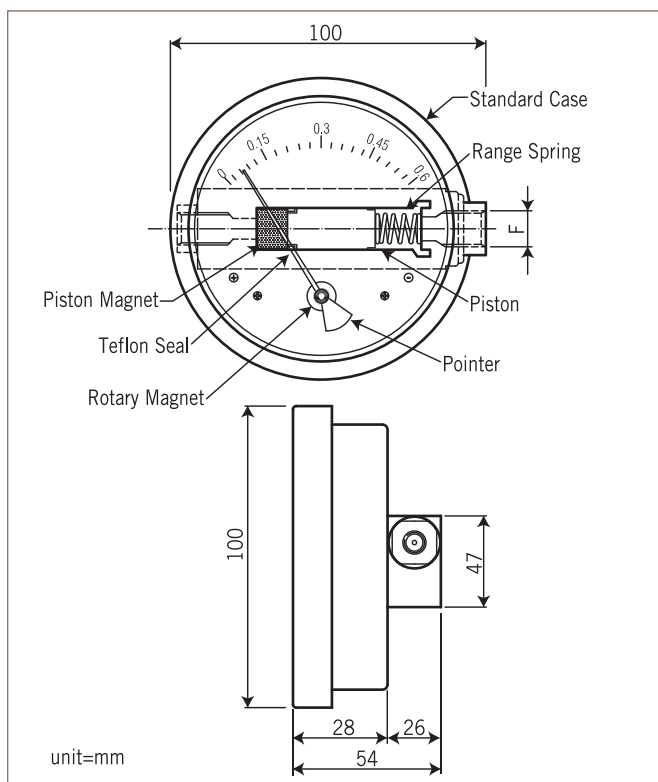
Approvals:



Patent No.

M449263
 China: ZL 2012 2 0666839.5

Dimensions



Ordering Information

DPH	Code	Dial Size	
		A	B
		ø4"	ø6"
		Code	Range
		09R	0~9 psi
		11R	0~11 psi
		14R	0~14 psi
		30R	0~30 psi
		40R	0~40 psi
		60R	0~60 psi
		100R	0~100 psi
		140R	0~140 psi
		200R	0~200 psi
		Code	Wetted Parts Material
		A	SS316
		Code	Process Connection
		1	¼"NPT Female
		2	Option (with adaptor)
DPH			
Complete Ordering Code			