

# DIFFERENTIAL PRESSURE SWITCH NEMA 4, 4X, IP66 DPS2200W

**Protection: IP66**  
**Proof Pressure to 750psi**  
**Adjustable Ranges: 400~10000 mmH<sub>2</sub>O**  
**Temperature: -30 to 205°C**

The New-Flow DPS2200W, a water proof differential pressure switch, is designed to be used in control systems. DPS2200W has high set point repeatability and narrow dead band features. There is a variety of range selections available upon request. Easily adjusted to the set point, no special tools needed!

### Technical Data

- Switch Data:** one SPDT & two SPDT Microswitch, 15amps 125/250VAC, DC 125V 0.4A, DC 30V 3A, / Gold Contact Microswitch 1A 125/250VAC
- Housing:** die cast aluminum alloy with paint
- Conduit Connection:** Female 3/4", 1/2"NPT, M20 x P1.5 available
- Pressure Element:** welded type diaphragm
- Process Materials:** wetted parts are all in SS316+Titanium
- Process Connection:** with adaptor 1/2" or 1/4" NPT, BSP and PT Female; and M20 x P1.5 thread available



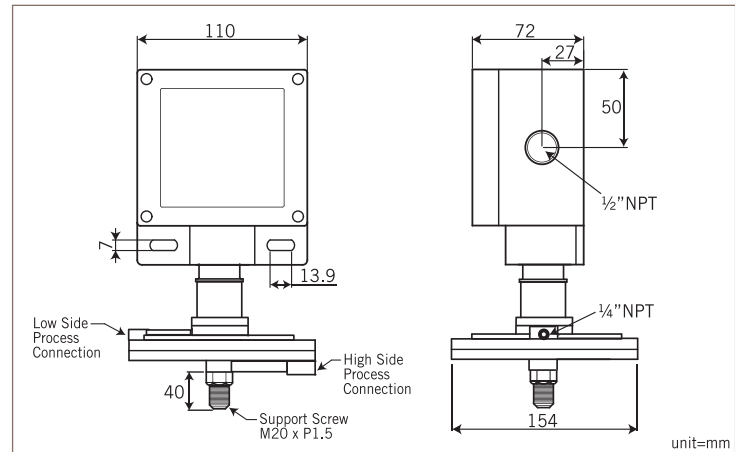
### Patent No.

M450724  
China: 2976852

### Approvals:



### Dimensions



### Range Selection Table

Code	Adjustable Range	Dead Band	Maximum Pressure Proof
10R	400~1900 mmH <sub>2</sub> O	30~80 mmH <sub>2</sub> O	750 psi
20R	1000~10000 mmH <sub>2</sub> O	70~200 mmH <sub>2</sub> O	750 psi

### Ordering Information

DPS2200W	Code	Range		
	10R	400~1900 mmH <sub>2</sub> O	20R	1000~10000 mmH <sub>2</sub> O
		<b>Code</b>	<b>Wetted Parts Material</b>	
		A	SS316+Titanium	
		<b>Code</b>	<b>Process Connection (with adaptor)– Female</b>	
			(1) 1/2"NPT (2) 1/4"NPT (3) 1/2"BSP (4) 1/4"BSP (5) 1/2"PT (6) 1/4"PT (7) M20 x P1.5	
		<b>Code</b>	<b>Conduit Connection</b>	
			(E) 3/4"NPT Female (F) 1/2"NPT Female, standard (G) M20 x P1.5 Female	
		<b>Code</b>	<b>Switch Form</b>	
		1	Micro Switch, 1 SPDT	
		2	Micro Switch, 2 SPDT (one setting point)	
		3a	Gold Contact, 1 SPDT	
		3b	Gold Contact, 2 SPDT (one setting point)	
DPS2200W				
<b>Complete Ordering Code</b>				