

DT130

HOMOGENIZE DIAPHRAGM SEAL

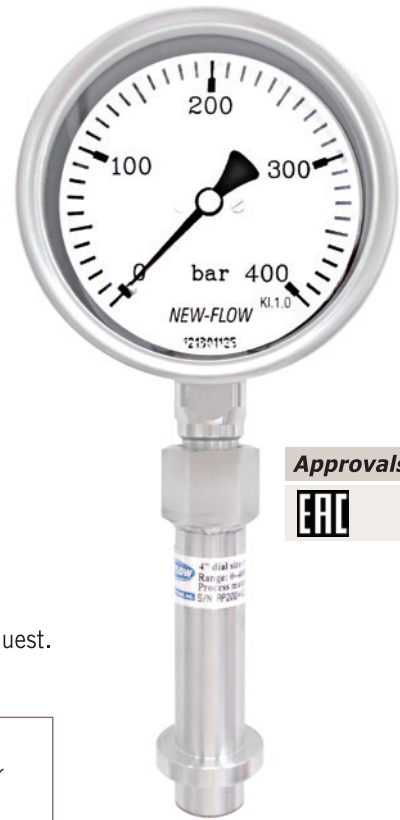
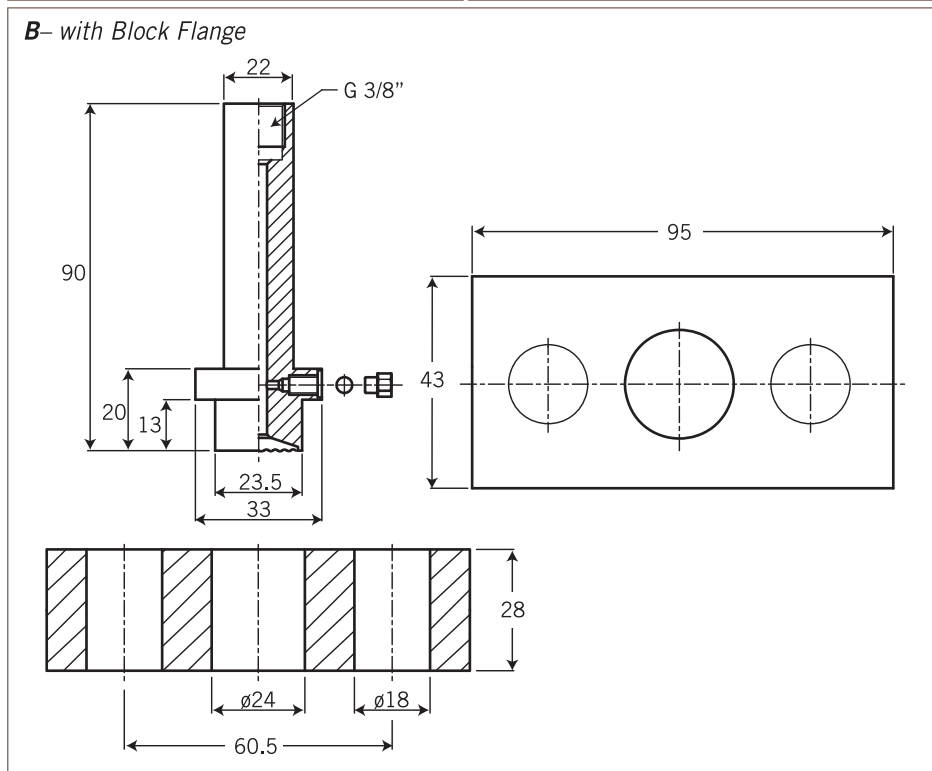
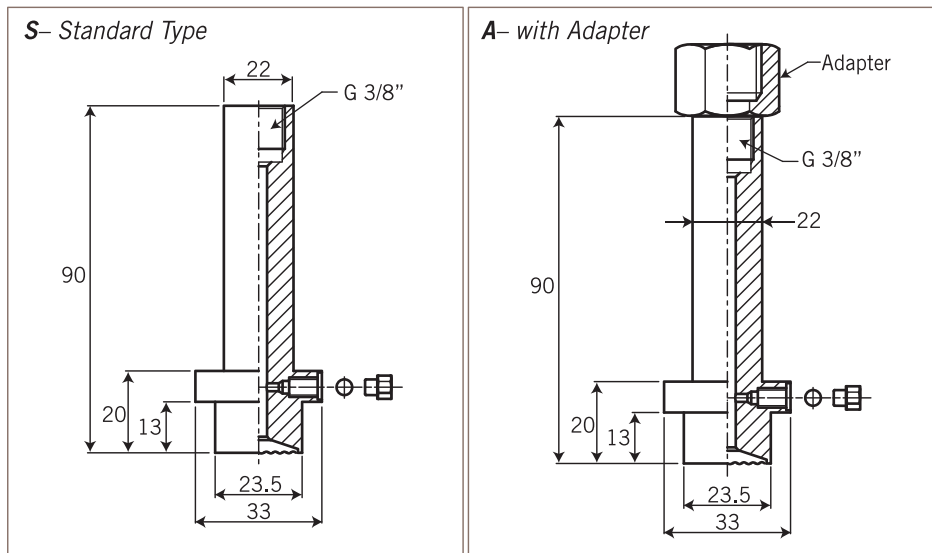
DT130

DT130 diaphragm seal is especially designed for applications at homogenizing systems and highly viscous fluid. The membrane is flush welded to the body. DT130 is easy to assemble with pressure gauges, pressure switches, and pressure instruments.

Technical Data

- Instrument connection:** G 3/8" female (3/8" BSP female)
- Membrane size:** $\varnothing 23.5\text{mm}$
- Process connection:** Standard (as drawing); optional with Adapter, or Block Flange (extra charges)
- Temperature limited:** -40~+150°C; Cooling element or Capillary line up to 350°C
- Pressure range limited:** Maximum up to 600 kg/cm²
Minimum 0~10 kg/cm²
- Body material:** SS316 (standard); others on request
- Block Flange material:** SS304 (standard), or SS316 available
- Membrane:** SS316L (standard); Options-Hastelloy C276, Tantalum, and others on request.

Dimensions- mm



Approvals:



Parts List

Item	Description of Parts
a	Membrane
b	Filling Port
c	Holding Collar
d	Body
e	Instrument Connection

Ordering Information

DT130	Code	Type				
	S	Standard				
	A	With Adapter				
	B	With Block Flange				
	Code	Instrument Connection (Female)				
	A	G3/8", standard	O	option (with adapter)		
	Code	Membrane Size				
	A	ø23.5mm				
	Code	Body Material				
	S	SS316, standard	O	option		
	Code	Block Flange Material				
	S	SS304	O	option	N	without
	Code	Membrane Material				
	1	SS316L				
2	Hastelloy C276					
3	Tantalum					
4	option					
DT130						Complete Ordering Code