

ELECTRIC MOTORIZED VALVE

EMV-10 SERIES

Compact, light weight and economical valve for general use. EMV-10 accepts simple-structured actuator and designed for various types of fluid. It comes with highly anti-corrosive CF8M stainless steel.

Technical Data

ON-OFF Type, Manual Handle available

Connection Type: Threaded end PT, NPT and PF female available

Body Material: CF8M

Ball Material: CF8M

Seat Material: PTFE

Stem Seal Material: FKM

Valve DN: 8A to 20A

Maximum Pressure: 1.0 (2.0) MPa

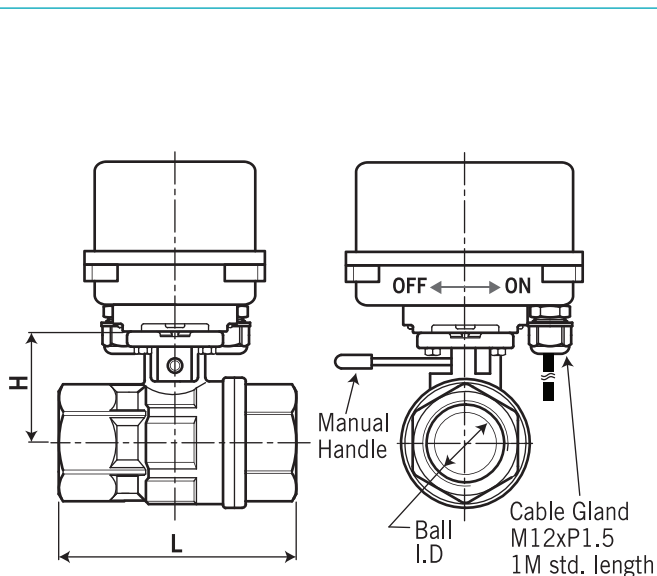
Fluid: Water, Oil and Gas available

Power Supply: AC110~240V or DC24V available

Switch Time	2~3 s
Power Consumption	ON: 24VA (max.)
	OFF: Closed 0.25VA / Open 0.5VA
Power Supply	DC24V ±20%
Input Signal Current	22mA

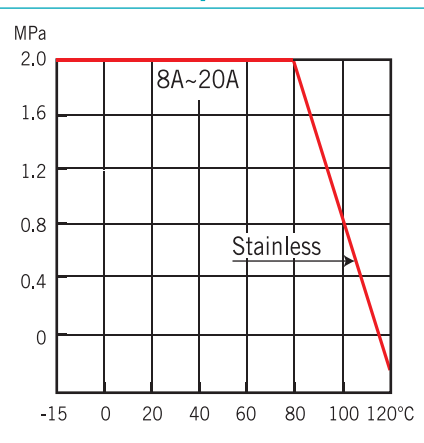


Dimensions-mm



Size / DN	H	L	Ball I.D
1/4" / 8A	36	63.5	ø11
3/8" / 10A	36	63.5	ø12.5
1/2" / 15A	36	63.5	ø15
3/4" / 20A	41	74	ø20

Pressure-Temperature Chart



Ordering Information

EMV-10	Code	Body Material			
	1	CF8M			
		Code Connection Size			
		(1) 1/4" (2) 3/8" (3) 1/2" (4) 3/4"			
		Code Connection Rating			
	1	PT, female			
	2	NPT, female			
	3	PF, female			
	0	Others			
		Code Power Supply			
	1	AC100/110V			
	2	AC200/220V			
	3	DC 24V			
EMV-10					Complete Ordering Code