

# EXPLOSION PROOF TYPE UNION EU SERIES

**Explosion Proof :** Ex d II Gb X / Ex tb IIIC Db X  
**Weather Proof :** IP68

## Technical Data

**Connection Size:** Thread ½" NPT(F) x ½" NPT(F) or  
¾" NPT(F) x ¾" NPT(F) available

**Body Material:** SS316L

**O-Ring Material:** Viton or Teflon available  
(Max. temperature for Viton: 100°C; for Teflon: 120°C.)

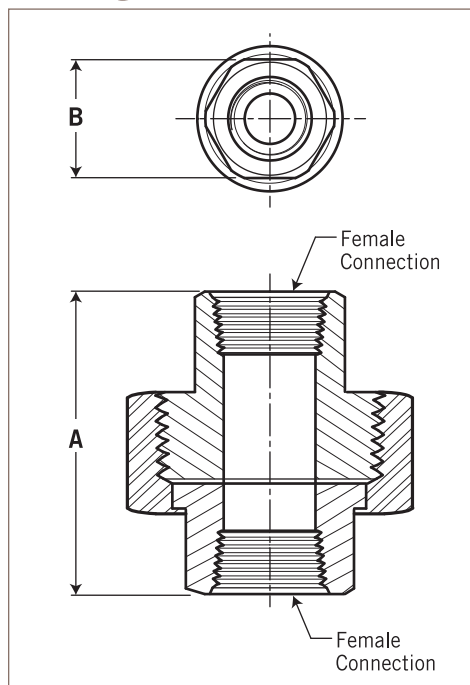


## Approvals:



TD0400TJ  
(ITRI)2018 第07-00122號

## Ordering Information & Dimensions



Ordering Code	Connection Size	Material	A	B
EU-04-NPT	½" NPT(F) x ½" NPT(F)	SS316L	51.0	30.0
EU-06-NPT	¾" NPT(F) x ¾" NPT(F)	SS316L	52.0	32.0

unit=mm

### NOTICE.

\*Viton or Teflon o-ring are on request.

Please specify which one is necessary when placing an order.\*