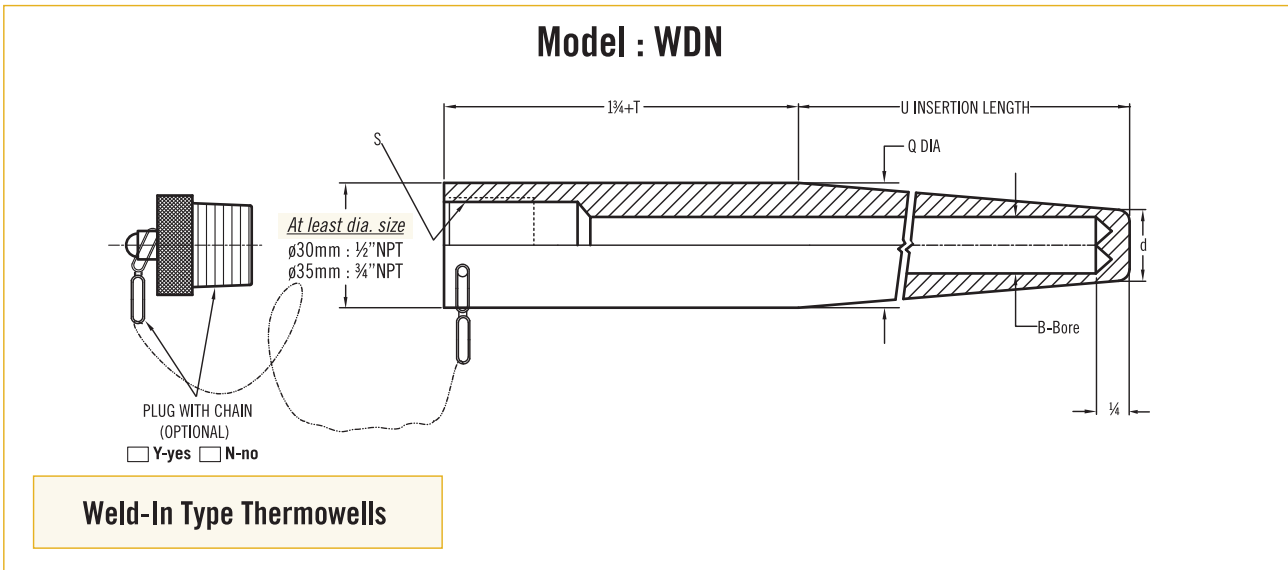
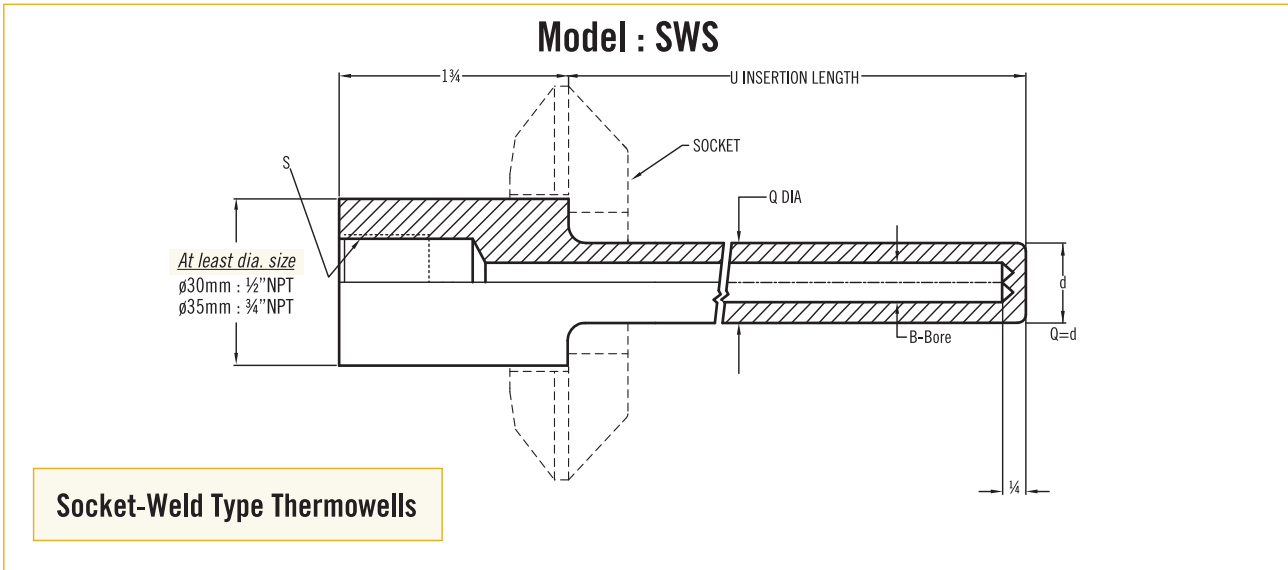
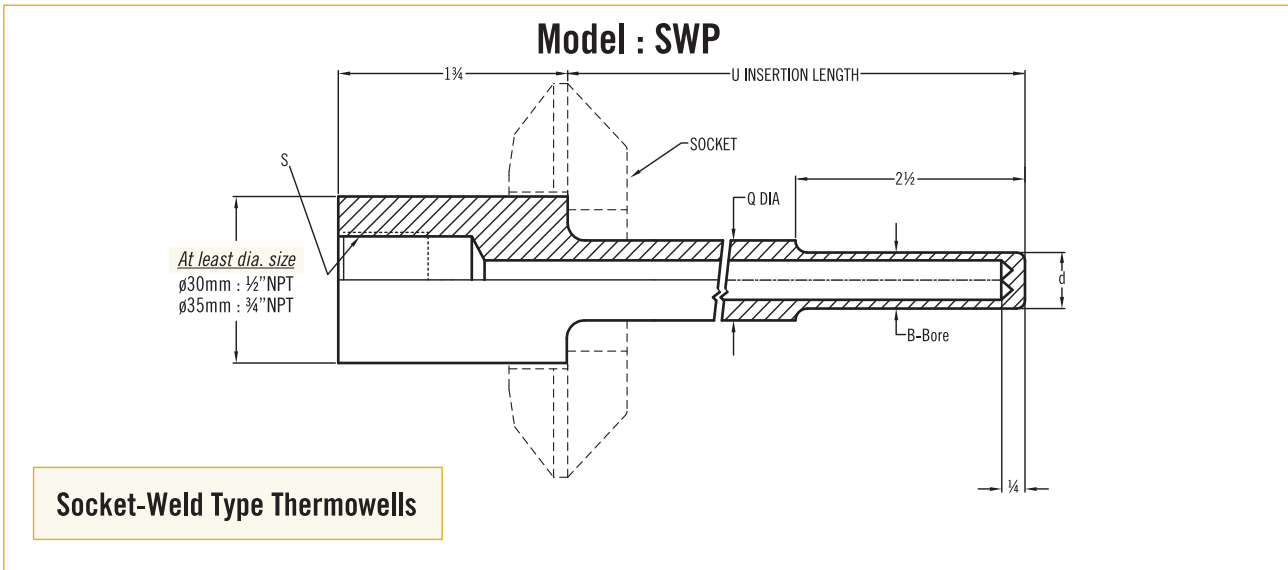
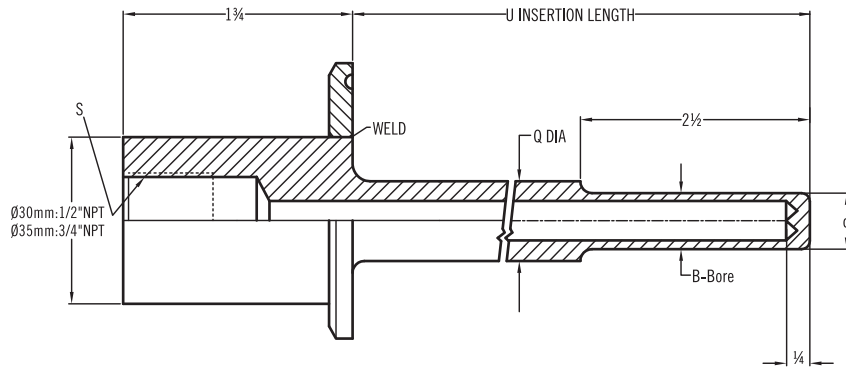


# GENERAL THERMOWELLS

Approvals:

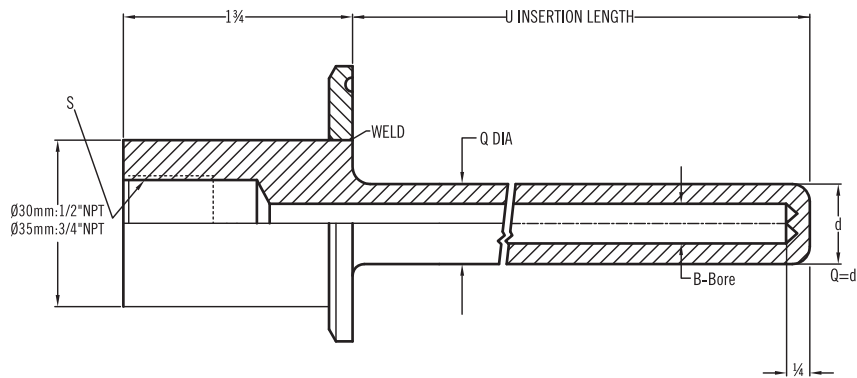


## Model : SCP



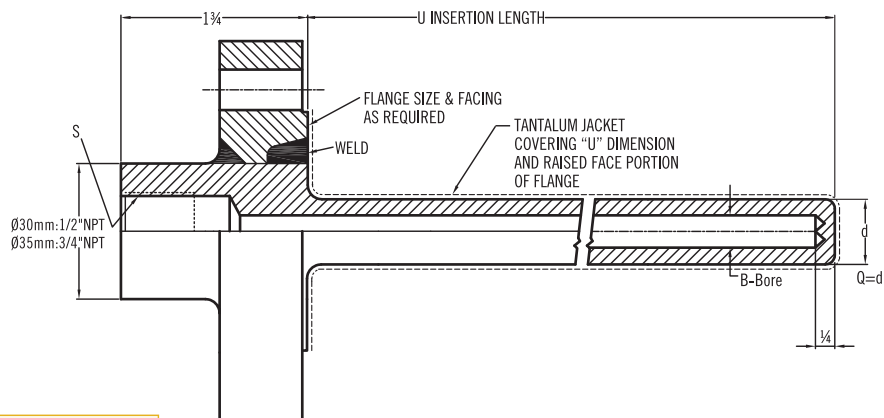
Sanitary Clamp Type Thermowells

## Model : SCS



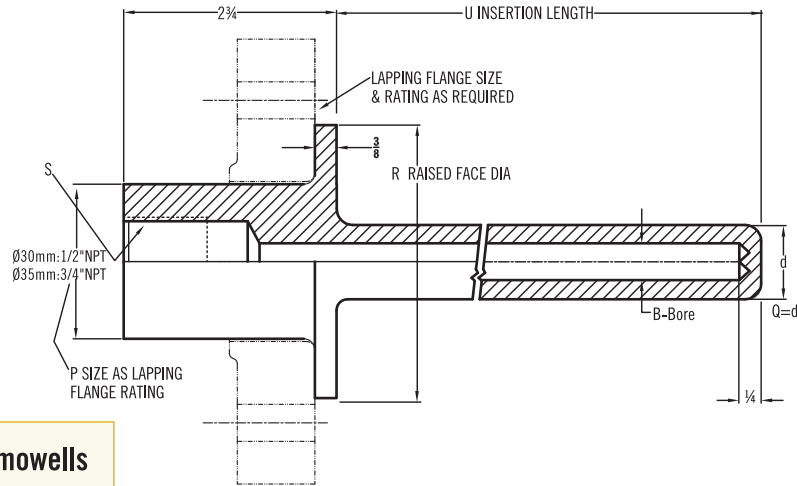
Sanitary Clamp Type Thermowells

## Model : JAT



Jacket Type Thermowells

**Model : VST**



Van Stone Thermowells

**Ordering Information**

Model	SWP	SWS	WDN	SCP	SCS	JAT	VST	
↓ ↓ ↓ ↓ ↓ ↓ ↓ ↓ ↓ ↓ ↓ ↓ ↓	<b>Code</b>	<b>Material</b>						
	CS	Carbon Steel			MO	Monel		
	S1	304 Stainless Steel			HC	Hastelloy C276		
	S2	316 Stainless Steel			Ti	Titanium		
	S3	316L Stainless Steel			OP	Option (please indicate material)		
	<b>Code</b>	<b>Process Connection</b>						
		(1) Without (2) With (please indicate size)						
	<b>Code</b>	<b>"U" Insertion Length</b>						
		Please indicate length.						
	<b>Code</b>	<b>S-Instrument Connection</b>						
		(A) ½"NPT Femal (B) ¾"NPT Female (O) option						
	<b>Code</b>	<b>Lag Length "T"</b>						
	No	0						
	Tn	option (please indicate length)						
	<b>Code</b>	<b>"Q" Diameter</b>						
	Fill in the requested diameter: e.g. 20mm=20Q			0	without Q			
<b>Code</b>	<b>"d" Diameter</b>							
	Fill in the requested diameter: e.g. 15mm=15d							
<b>Code</b>	<b>"B" BORE diameter</b>							
	Fill in the requested diameter: e.g. 7mm=7B							
<b>Code</b>	<b>Pulg with Chain</b>							
Y	Yes	N	No					
<b>Complete Ordering Code</b>								