

HORIZONTAL MAGNETIC LEVEL SWITCH

LR SERIES

The LR Series of float-operated level switch. Suitable for control the liquid level with horizontal mounting. The float extension arm moves a magnet which actuated reed switch offer an open or closed contact upon request by user.

Technical Data

- General Purpose Type**
- Weather Proof Type- IP68**
- Explosion Proof Type**
- Chemical Duty**
- Sp. Gr.:** Minimum 0.6
- Screwed Mounting**
- Connection:** Male Thread ½" to 4" NPT or BSP available; Flange Type is on request
- Max. Pressure:** 10 kg/cm²
- Max. Temperature:** -10°C~120°C
- Float Material:** SS316
- Wetted Parts Material:** SS316
- Reed Switch:** One switch and Two switch available (Two switch is only for the size of ¾" and 1")

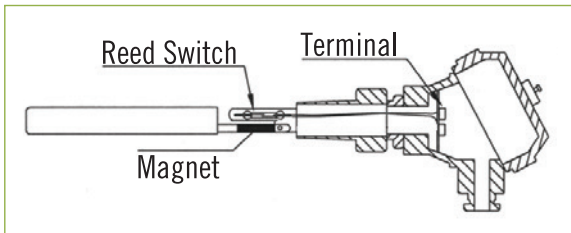
Approvals:



Reed Switch Type

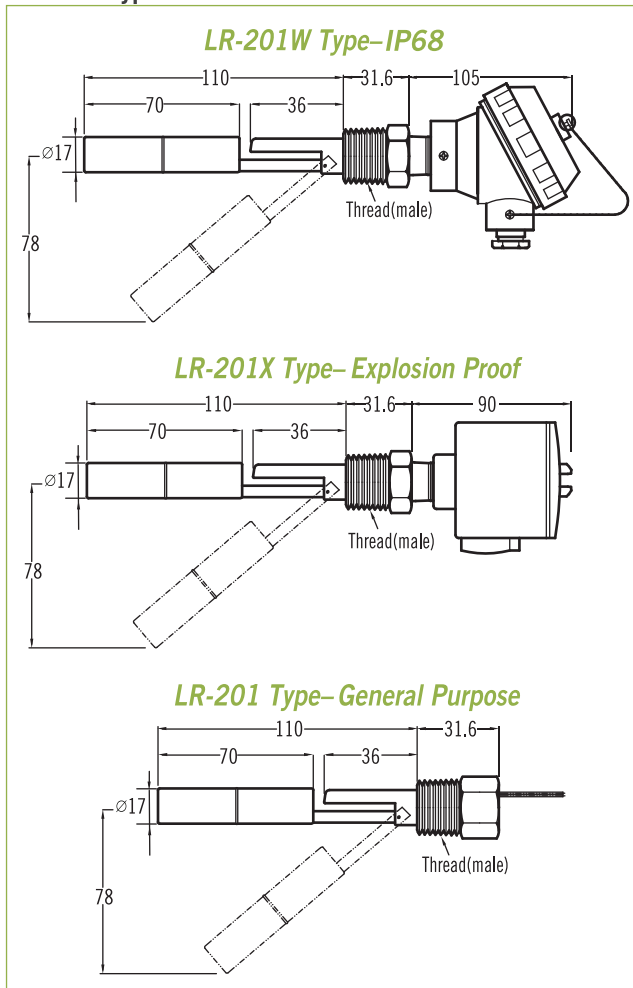
Contact Form	A1 (SPST)	A2 (SPST)	C (SPDT)
Switching Capacity Max.	40 WVA	10 WVA	20 WVA
Switching Voltage Max.	230V AC/DC	100VDC, 250VAC	150V AC/DC
Switching Current Max.	2A	1A	1A
Carrying Current Max.	3A	1.5A	2A

*Special rate available on request.

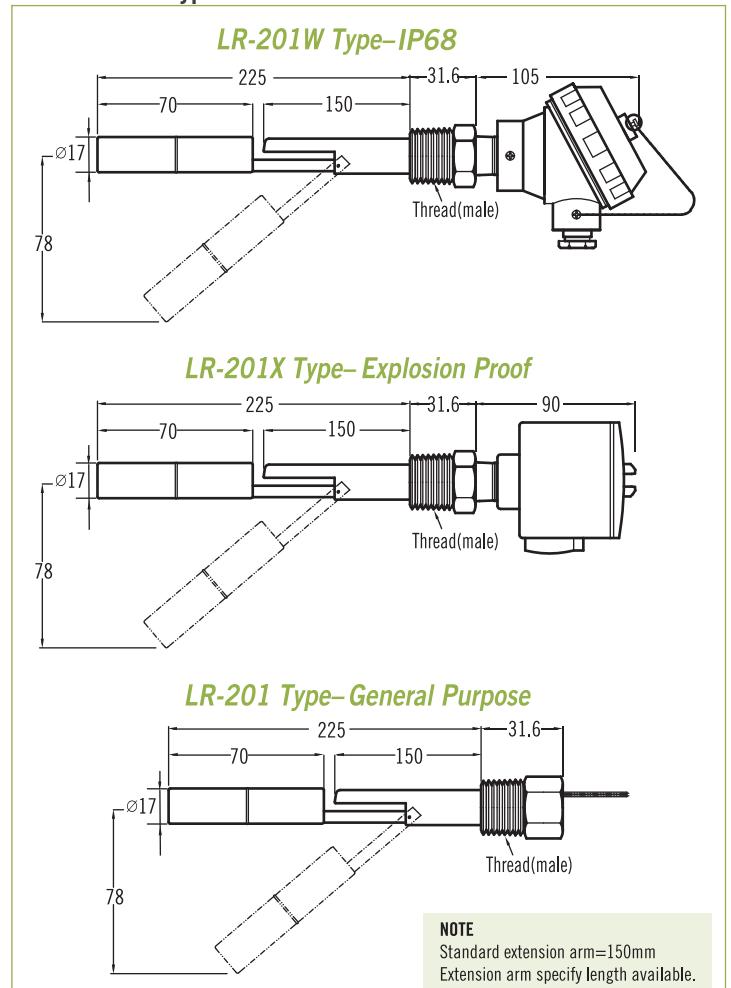


Dimension-mm

Standard Type



Extension Arm Type



NOTE
Standard extension arm=150mm
Extension arm specify length available.

Head Type Technical Data for LR-201X (Explosion Proof Type)



XDS TYPE



XDA TYPE



S1 TYPE



ES & EA TYPE

XDS / XDA Type

Material: XDS-SS316; XDA-Aluminum alloy

Weight: XDS-1278 g; XDA-460 g

Protection tube connection:

1/2"PF, 3/4"PF, 1/2"NPT, 3/4"NPT

1/2"BSP, 3/4"BSP, G1/2", G3/4"

M20x1.5, M24x1.5, M25x1.5

Extension wire connection:

M20x1.5, M25x1.5, 1/2"NPT, 3/4"NPT

EC certificate no.: BSI 07 ATEX 1532458U

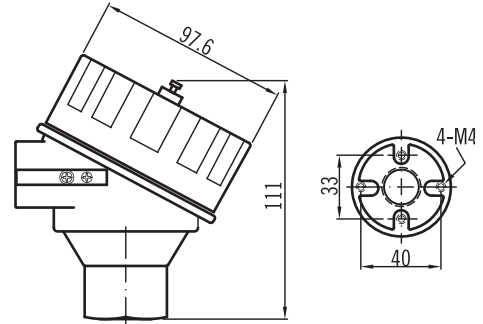
ATEX directive code: II 2 G D

Standard code: Ex d IIC T6, Ex tD A21

T100°C IP68

FM Approvals: XP/II/1/ABCD/T6; DIP/II,III/1/EFG/T6;
Type 4X

Explosionproof for Class I, Division 1, Groups A,B,C and D; and dust-ignitionproof for Class II, III Division 1, Groups E,F and G, hazardous (classified) locations; indoor / outdoor (NEMA Type 4X).



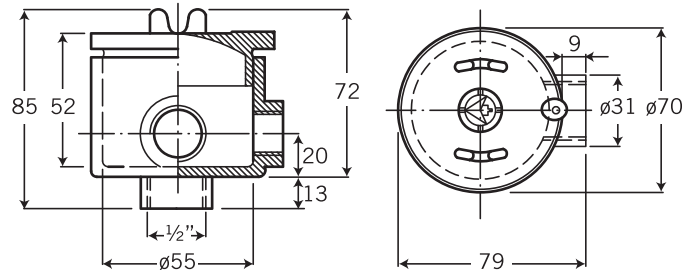
S1 Type

Protection: Explosion proof, EEx d IIC-T6, II 2 GD; IP66

Material: Aluminum alloy

Terminal Block: 4 x 4 mm² (on request)

Weight Gr.: 350g



ES & EA Type

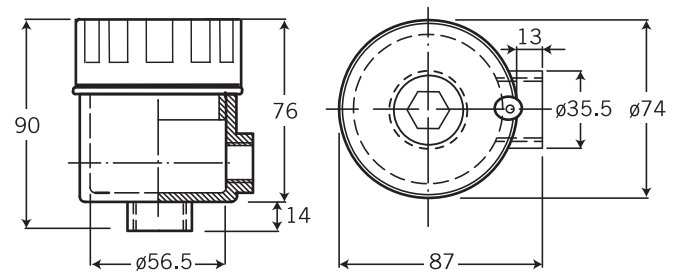
Protection: Explosion Proof Type

Material: ES: SS316 / EA: Aluminum Alloy

Extension wire connection:

1/2", 3/4" (PF, NPT, BSP)

Weight: 1054 g



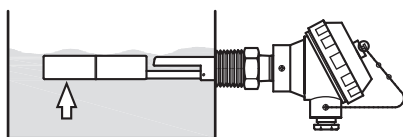
* SPDT contact is available for (A)(B)(C)(D).

* SPST contact is only available for (A) or (C).

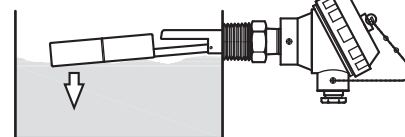
Under SPST contact, please specify the action mode when place an order!

Float Level Switch Action Mode

(A) Switch Action: Close (ON)

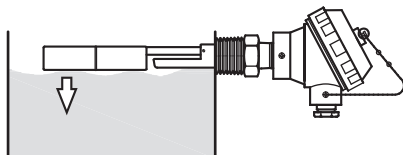


(B) Switch Action: Close (ON)



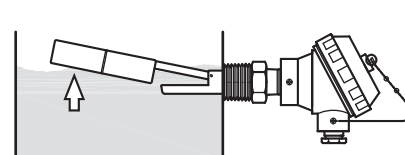
(C) Switch Action: Close (ON)

Particle or Garbage mixed liquid no recommend



(D) Switch Action: Close (ON)

Particle or Garbage mixed liquid no recommend



Ordering Information

LR	Code	Type																
	S	Standard Type																
	E	Extension Arm Type																
		<table border="1"> <thead> <tr> <th>Code</th> <th>Model</th> </tr> </thead> <tbody> <tr> <td>201W</td> <td>Weather Proof, IP68</td> </tr> <tr> <td>201X</td> <td>Explosion Proof</td> </tr> <tr> <td>201</td> <td>General Purpose</td> </tr> </tbody> </table>	Code	Model	201W	Weather Proof, IP68	201X	Explosion Proof	201	General Purpose								
Code	Model																	
201W	Weather Proof, IP68																	
201X	Explosion Proof																	
201	General Purpose																	
		<table border="1"> <thead> <tr> <th>Code</th> <th>Head Housing Type & Material (*only for 201X selection*)</th> </tr> </thead> <tbody> <tr> <td>S1</td> <td>Aluminum Alloy</td> </tr> <tr> <td>ES</td> <td>SS316</td> </tr> <tr> <td>EA</td> <td>Aluminum Alloy</td> </tr> <tr> <td>XDS</td> <td>SS316</td> </tr> <tr> <td>XDA</td> <td>Aluminum Alloy</td> </tr> <tr> <td>O</td> <td>For Weather proof type & General purpose type</td> </tr> </tbody> </table>	Code	Head Housing Type & Material (*only for 201X selection*)	S1	Aluminum Alloy	ES	SS316	EA	Aluminum Alloy	XDS	SS316	XDA	Aluminum Alloy	O	For Weather proof type & General purpose type		
Code	Head Housing Type & Material (*only for 201X selection*)																	
S1	Aluminum Alloy																	
ES	SS316																	
EA	Aluminum Alloy																	
XDS	SS316																	
XDA	Aluminum Alloy																	
O	For Weather proof type & General purpose type																	
		<table border="1"> <thead> <tr> <th>Code</th> <th>Contact Form</th> </tr> </thead> <tbody> <tr> <td>1</td> <td>A1 type (SPST, 230VAC/DC)</td> </tr> <tr> <td>2</td> <td>A2 type (SPST, 100VDC, 250VAC)</td> </tr> <tr> <td>3</td> <td>C type (SPDT, 150VAC/DC)</td> </tr> </tbody> </table>	Code	Contact Form	1	A1 type (SPST, 230VAC/DC)	2	A2 type (SPST, 100VDC, 250VAC)	3	C type (SPDT, 150VAC/DC)								
Code	Contact Form																	
1	A1 type (SPST, 230VAC/DC)																	
2	A2 type (SPST, 100VDC, 250VAC)																	
3	C type (SPDT, 150VAC/DC)																	
		<table border="1"> <thead> <tr> <th>Code</th> <th>Float Material</th> </tr> </thead> <tbody> <tr> <td>S</td> <td>SS316</td> </tr> </tbody> </table>	Code	Float Material	S	SS316												
Code	Float Material																	
S	SS316																	
		<table border="1"> <thead> <tr> <th>Code</th> <th>Connection Size</th> </tr> </thead> <tbody> <tr> <td>(1)</td> <td>½"NPT(M) (2) ¾"NPT(M) (3) 1"NPT(M)</td> </tr> <tr> <td>(4)</td> <td>½"BSP(M) (5) ¾"BSP(M) (6) 1"BSP(M)</td> </tr> <tr> <td>(7)</td> <td>1¼"NPT(M) (8) 1½"NPT(M) (9) 2"NPT(M)</td> </tr> <tr> <td>(10)</td> <td>1¼"BSP(M) (11) 1½"BSP(M) (12) 2"BSP(M)</td> </tr> <tr> <td>(13)</td> <td>2½"NPT(M) (14) 3"NPT(M) (15) 4"NPT(M)</td> </tr> <tr> <td>(16)</td> <td>2½"BSP(M) (17) 3"BSP(M) (18) 4"BSP(M)</td> </tr> <tr> <td>(19)</td> <td>Flange type (Pease directly fill out the request of flange size & rating.)</td> </tr> </tbody> </table>	Code	Connection Size	(1)	½"NPT(M) (2) ¾"NPT(M) (3) 1"NPT(M)	(4)	½"BSP(M) (5) ¾"BSP(M) (6) 1"BSP(M)	(7)	1¼"NPT(M) (8) 1½"NPT(M) (9) 2"NPT(M)	(10)	1¼"BSP(M) (11) 1½"BSP(M) (12) 2"BSP(M)	(13)	2½"NPT(M) (14) 3"NPT(M) (15) 4"NPT(M)	(16)	2½"BSP(M) (17) 3"BSP(M) (18) 4"BSP(M)	(19)	Flange type (Pease directly fill out the request of flange size & rating.)
Code	Connection Size																	
(1)	½"NPT(M) (2) ¾"NPT(M) (3) 1"NPT(M)																	
(4)	½"BSP(M) (5) ¾"BSP(M) (6) 1"BSP(M)																	
(7)	1¼"NPT(M) (8) 1½"NPT(M) (9) 2"NPT(M)																	
(10)	1¼"BSP(M) (11) 1½"BSP(M) (12) 2"BSP(M)																	
(13)	2½"NPT(M) (14) 3"NPT(M) (15) 4"NPT(M)																	
(16)	2½"BSP(M) (17) 3"BSP(M) (18) 4"BSP(M)																	
(19)	Flange type (Pease directly fill out the request of flange size & rating.)																	
		<table border="1"> <thead> <tr> <th>Code</th> <th>Conduit Size</th> </tr> </thead> <tbody> <tr> <td></td> <td>(1) ½"NPT(F) (2) ¾"NPT(F) (3) ½"BSP(F) (4) ¾"BSP(F) (5) option</td> </tr> </tbody> </table>	Code	Conduit Size		(1) ½"NPT(F) (2) ¾"NPT(F) (3) ½"BSP(F) (4) ¾"BSP(F) (5) option												
Code	Conduit Size																	
	(1) ½"NPT(F) (2) ¾"NPT(F) (3) ½"BSP(F) (4) ¾"BSP(F) (5) option																	
		<table border="1"> <thead> <tr> <th>Code</th> <th>Reed Switch</th> </tr> </thead> <tbody> <tr> <td>1</td> <td>One Switch</td> </tr> <tr> <td>2</td> <td>Two Switches (for size ¾" or 1" only)</td> </tr> </tbody> </table>	Code	Reed Switch	1	One Switch	2	Two Switches (for size ¾" or 1" only)										
Code	Reed Switch																	
1	One Switch																	
2	Two Switches (for size ¾" or 1" only)																	
		<table border="1"> <thead> <tr> <th>Code</th> <th>Explosion Proof Type / Head Housing Type</th> </tr> </thead> <tbody> <tr> <td>N</td> <td>For Weather Proof Type, LR201 and LR201W</td> </tr> <tr> <td>A</td> <td>Certificate on Housing Only / S1: EEx d IIC-T6; II 2 GD</td> </tr> <tr> <td>B</td> <td>Taiwan Explosion Proof Certification / ES & EA: Ex d IIB + H2 T6 Gb</td> </tr> <tr> <td>S</td> <td>Certificate on Housing Only / XDS & XDA: II 2 G D Ex d IIC T6; II 2 G D Ex tD A21 T100°C</td> </tr> </tbody> </table>	Code	Explosion Proof Type / Head Housing Type	N	For Weather Proof Type, LR201 and LR201W	A	Certificate on Housing Only / S1: EEx d IIC-T6; II 2 GD	B	Taiwan Explosion Proof Certification / ES & EA: Ex d IIB + H2 T6 Gb	S	Certificate on Housing Only / XDS & XDA: II 2 G D Ex d IIC T6; II 2 G D Ex tD A21 T100°C						
Code	Explosion Proof Type / Head Housing Type																	
N	For Weather Proof Type, LR201 and LR201W																	
A	Certificate on Housing Only / S1: EEx d IIC-T6; II 2 GD																	
B	Taiwan Explosion Proof Certification / ES & EA: Ex d IIB + H2 T6 Gb																	
S	Certificate on Housing Only / XDS & XDA: II 2 G D Ex d IIC T6; II 2 G D Ex tD A21 T100°C																	
LR		Complete Ordering Code																