

# PLASTIC FLOW METER MBC SERIES

## Technical Data

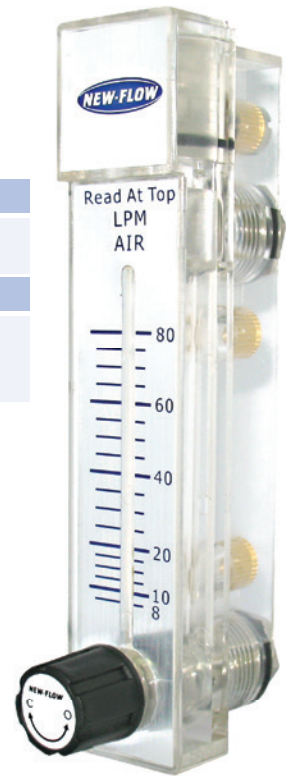
**Service:** gas & liquid  
**Wetted parts material:** Body- Polycarbonate (PC);  
 O-Ring- Viton (standard); Float- SS316, POM Plastic  
**Valve material:** SS316  
**Connection material:** SS316  
**Connection size:** 1/8" NPT female; and female 1/4" NPT, R1/4", G1/4" available  
**Pressure limit:** 150 psig (10bar) @100°F (38°C)  
**Temperature limit:** -10°C~+60°C  
**Accuracy:** ±3% full scale  
**Mounting:** vertical position  
**Weight:** 75 g

### Approvals:

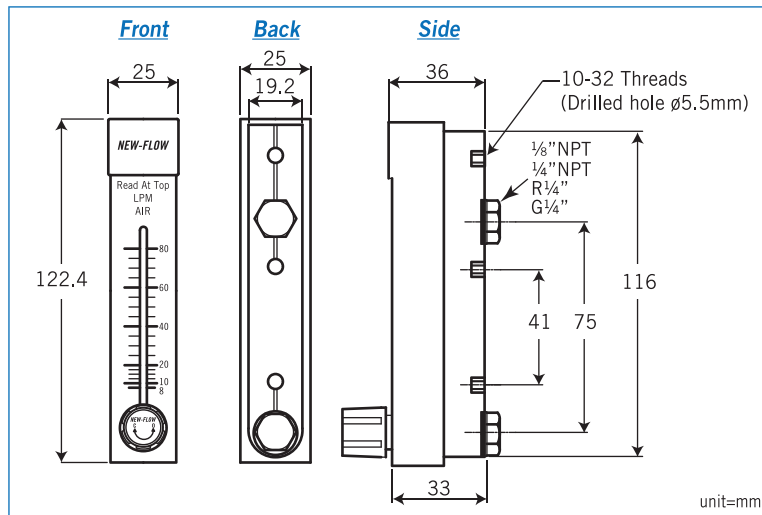


### Patent No.

Taiwan: M398628  
 China: 1850114  
 U.S: 7980127B1



## Dimensions



## Range Table & Ordering Information

### A. Fluid Type: Water

Item	Flow Range	Float Material	Flow Unit	Needle Valve	Ordering Code [* for 1/8" NPT(F), standard]	Other Connection Size
1	10~100	SS316	cc/min, cc per Minute	with	MBC-V-S-W-100-C	+N2: 1/4" NPT(F) +R2: R1/4"(F) +G2: G1/4"(F)  <b>Ordering code example:</b> <b>MBC-V-S-W-100-C+N2</b> → MBC = Model → V = With Needle Valve → S = Float SS316 → W = Water → 100 = 10-100 → C = cc/min → N2 = 1/4" NPT(F)
2	25~250	POM	cc/min, cc per Minute	with	MBC-V-P-W-250-C	
3	30~300	POM	cc/min, cc per Minute	with	MBC-V-P-W-300-C	
4	50~500	POM	cc/min, cc per Minute	with	MBC-V-P-W-500-C	
5	100~1000	SS316	cc/min, cc per Minute	with	MBC-V-S-W-1000-C	
6	0.6~6	SS316	LPH, Litter per Hour	with	MBC-V-S-W-6-LH	
7	0.8~8	POM	LPH, Litter per Hour	with	MBC-V-P-W-8-LH	
8	1.5~15	POM	LPH, Litter per Hour	with	MBC-V-P-W-15-LH	
9	2~20	POM	LPH, Litter per Hour	with	MBC-V-P-W-20-LH	
10	2.5~25	POM	LPH, Litter per Hour	with	MBC-V-P-W-25-LH	
11	3~30	POM	LPH, Litter per Hour	with	MBC-V-P-W-30-LH	
12	5~50	SS316	LPH, Litter per Hour	with	MBC-V-S-W-50-LH	
13	8~80	SS316	LPH, Litter per Hour	with	MBC-V-S-W-80-LH	
14	15~150	SS316	LPH, Litter per Hour	with	MBC-V-S-W-150-LH	
15	20~200	SS316	LPH, Litter per Hour	with	MBC-V-S-W-200-LH	
16	25~250	SS316	LPH, Litter per Hour	with	MBC-V-S-W-250-LH	

### B. Fluid Type: Water

Item	Flow Range	Float Material	Flow Unit	Needle Valve	Ordering Code [* for 1/8" NPT(F), standard]	Other Connection Size
1	0.2~2	POM	GPH, Gallon (us) per Hour	with	MBC-V-P-W-2-GH	+N2: 1/4" NPT(F) +R2: R1/4"(F) +G2: G1/4"(F)
2	0.5~5	POM	GPH, Gallon (us) per Hour	with	MBC-V-P-W-5-GH	
3	0.8~8	POM	GPH, Gallon (us) per Hour	with	MBC-V-P-W-8-GH	
4	1.3~13	SS316	GPH, Gallon (us) per Hour	with	MBC-V-S-W-13-GH	
5	2~20	SS316	GPH, Gallon (us) per Hour	with	MBC-V-S-W-20-GH	
6	4~40	SS316	GPH, Gallon (us) per Hour	with	MBC-V-S-W-40-GH	
7	5~50	SS316	GPH, Gallon (us) per Hour	with	MBC-V-S-W-50-GH	
8	6.5~65	SS316	GPH, Gallon (us) per Hour	with	MBC-V-S-W-65-GH	

C. Fluid Type: Air

Item	Flow Range	Float Material	Flow Unit	Needle Valve	Ordering Code [*for 1/8" NPT(F), standard]	Other Connection Size
1	50~500	POM	cc/min, cc per Minute	with	MBC-V-P-A-500-C	+N2: ¼" NPT(F) +R2: R¼"(F) +G2: G¼"(F)
2	70~700	POM	cc/min, cc per Minute	with	MBC-V-P-A-700-C	
3	0.1~1	POM	LPM, Normal Litter per Minute	with	MBC-V-P-A-1-LM	
4	100~1000	POM	cc/min, cc per Minute	with	MBC-V-P-A-1000-C	
5	0.2~2	POM	LPM, Normal Litter per Minute	with	MBC-V-P-A-2-LM	
6	0.25~2.5	SS316	LPM, Normal Litter per Minute	with	MBC-V-S-A-2.5-LM	
7	0.4~4	SS316	LPM, Normal Litter per Minute	with	MBC-V-S-A-4-LM	
8	0.5~5	SS316	LPM, Normal Litter per Minute	with	MBC-V-S-A-5-LM	
9	0.6~6	SS316	LPM, Normal Litter per Minute	with	MBC-V-S-A-6-LM	
10	1~10	POM	LPM, Normal Litter per Minute	with	MBC-V-P-A-10-LM	
11	1.5~15	POM	LPM, Normal Litter per Minute	with	MBC-V-P-A-15-LM	
12	2.5~25	SS316	LPM, Normal Litter per Minute	with	MBC-V-S-A-25-LM	
13	2.5~25	POM	LPM, Normal Litter per Minute	with	MBC-V-P-A-25-LM	
14	3~30	POM	LPM, Normal Litter per Minute	with	MBC-V-P-A-30-LM	
15	4~40	SS316	LPM, Normal Litter per Minute	with	MBC-V-S-A-40-LM	
16	4~40	POM	LPM, Normal Litter per Minute	with	MBC-V-P-A-40-LM	
17	5~50	SS316	LPM, Normal Litter per Minute	with	MBC-V-S-A-50-LM	
18	7~70	SS316	LPM, Normal Litter per Minute	with	MBC-V-S-A-70-LM	
19	8~80	SS316	LPM, Normal Litter per Minute	with	MBC-V-S-A-80-LM	
20	10~100	SS316	LPM, Normal Litter per Minute	with	MBC-V-S-A-100-LM	

**Ordering code example:**  
**MBC-V-P-A-500-C+N2**  
 → MBC = Model  
 → V = With Needle Valve  
 → P = Float POM  
 → A = Air  
 → 500 = 50~500  
 → C = cc/min  
 → N2 = ¼" NPT(F)

Item	Flow Range	Float Material	Flow Unit	Needle Valve	Ordering Code [*for 1/8" NPT(F), standard]	Other Connection Size
21	12~120	POM	LPH, Normal Litter per Hour	with	MBC-V-P-A-120-LH	+N2: ¼" NPT(F) +R2: R¼"(F) +G2: G¼"(F)
22	25~250	SS316	LPH, Normal Litter per Hour	with	MBC-V-S-A-250-LH	
23	35~350	SS316	LPH, Normal Litter per Hour	with	MBC-V-S-A-350-LH	
24	60~600	POM	LPH, Normal Litter per Hour	with	MBC-V-P-A-600-LH	

Item	Flow Range	Float Material	Flow Unit	Needle Valve	Ordering Code [*for 1/8" NPT(F), standard]	Other Connection Size
25	0.1~1	POM	NM <sup>3</sup> /H, Normal Cubic Meter per Hour	with	MBC-V-P-A-1-MH	+N2: ¼" NPT(F) +R2: R¼"(F) +G2: G¼"(F)
26	0.15~1.5	SS316	NM <sup>3</sup> /H, Normal Cubic Meter per Hour	with	MBC-V-S-A-1.5-MH	
27	0.2~2	POM	NM <sup>3</sup> /H, Normal Cubic Meter per Hour	with	MBC-V-P-A-2-MH	
28	0.25~2.5	SS316	NM <sup>3</sup> /H, Normal Cubic Meter per Hour	with	MBC-V-S-A-2.5-MH	
29	0.4~4	SS316	NM <sup>3</sup> /H, Normal Cubic Meter per Hour	with	MBC-V-S-A-4-MH	
30	0.5~5	SS316	NM <sup>3</sup> /H, Normal Cubic Meter per Hour	with	MBC-V-S-A-5-MH	
31	0.6~6	SS316	NM <sup>3</sup> /H, Normal Cubic Meter per Hour	with	MBC-V-S-A-6-MH	

Item	Flow Range	Float Material	Flow Unit	Needle Valve	Ordering Code [*for 1/8" NPT(F), standard]	Other Connection Size
32	0.5~5	POM	SCFH, Standard Cubic Feet per Hour	with	MBC-V-P-A-5-SH	+N2: ¼" NPT(F) +R2: R¼"(F) +G2: G¼"(F)
33	1~10	SS316	SCFH, Standard Cubic Feet per Hour	with	MBC-V-S-A-10-SH	
34	1.2~12	SS316	SCFH, Standard Cubic Feet per Hour	with	MBC-V-S-A-12-SH	
35	2~20	POM	SCFH, Standard Cubic Feet per Hour	with	MBC-V-P-A-20-SH	
36	3~30	POM	SCFH, Standard Cubic Feet per Hour	with	MBC-V-P-A-30-SH	
37	5~50	SS316	SCFH, Standard Cubic Feet per Hour	with	MBC-V-S-A-50-SH	
38	7~70	POM	SCFH, Standard Cubic Feet per Hour	with	MBC-V-P-A-70-SH	
39	8~80	SS316	SCFH, Standard Cubic Feet per Hour	with	MBC-V-S-A-80-SH	
40	14~140	SS316	SCFH, Standard Cubic Feet per Hour	with	MBC-V-S-A-140-SH	
41	16~160	SS316	SCFH, Standard Cubic Feet per Hour	with	MBC-V-S-A-160-SH	
42	20~200	SS316	SCFH, Standard Cubic Feet per Hour	with	MBC-V-S-A-200-SH	