

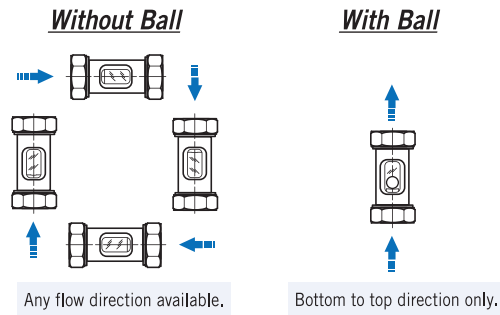
FLOW SIGHT GLASS GAUGE NAC

NAC are used for mounting in small pipes for liquid fluids. The instruments are equipped with female threads at inlet and outlet and can be supplied with either brass fittings.

Technical Data

Material: Body: Brass and SS316 available; Tube Housing: Borosilicate Glass;
O-Ring: Viton; **Thread Connection:** Brass or SS316; **Ball:** PTFE; **Spring:** SS316
Max. Pressure: 10 Bar
Max. Temperature: 70°C
Connection Size: 1/4", 3/8", 1/2" thread G(BSP) or NPT available, and option on request

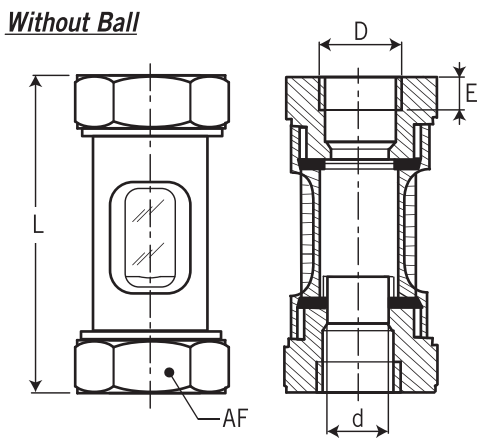
Flow Direction



Approvals:

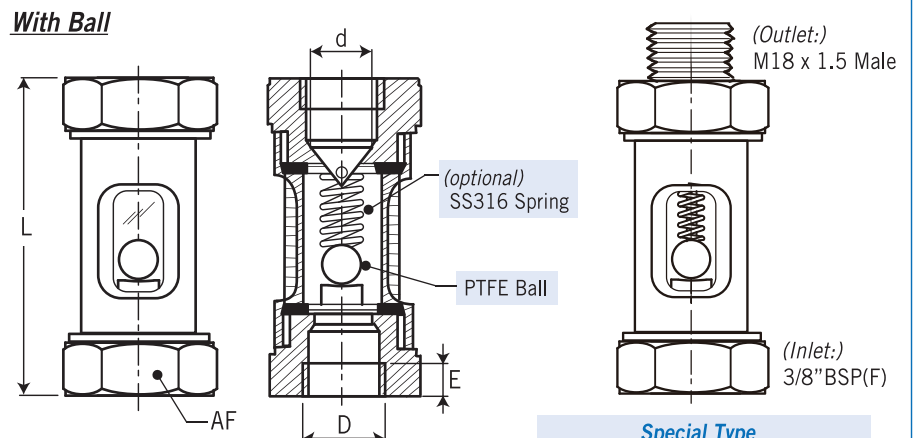


Dimensions



unit=mm

Size	L	AF	D	d	E	Weight (approx. kg)
1/4"	70	19	1/4"	5	12	0.085
3/8"	70	27	3/8"	8	12	0.17
1/2"	80	32	1/2"	12	15.5	0.28



unit=mm

Size	L	AF	D	d	E	Weight (approx. kg)
3/8"	80	32	3/8"	8	12	0.31
1/2"	80	32	1/2"	8	15.5	0.31

Ordering Information

NAC	Code	Connection Size						
	1	1/4"	2	3/8"	3	1/2"	0	Option
		Code	Connection Rating					
		1	NPT (female)	2	G (BSP) (female)	3	Option	
		Code	O-Ring Material					
		V	Viton					
		Code	Ball & Spring					
		D	Ball only	Ds	Both with	N	Without	
		Code	CE 1128 Mark Request					
		1	With label sticker		3	Stamp		
		2	With S.S nameplate		4	Without		
		Code	Body Material					
		B	Brass	S	SS316	0	Option	
NAC								Complete Ordering Code