

# PRESSURE REDUCING REGULATOR

## PRU125 – Self Venting Type Available

### Technical Data

For using gas and liquid  
**Inlet pressure:** 500, 3500 Psig maximum  
**Adjustable outlet pressure in ranges:** 25, 50, 100, 250, 500 Psig  
**Operating temperature:** -40 to 175°C  
**Diaphragm material:** 316L stainless steel  
**Body material:** 316L stainless steel  
**Seat material:** Teflon, PFA available  
**CV flow coefficients:** 0.06  
**Process connection:** ¼" NPT female  
**Two gauge connection ports are:** ¼" NPT female  
**Use no oil:** available  
**Self Venting:** 1/8" NPT female

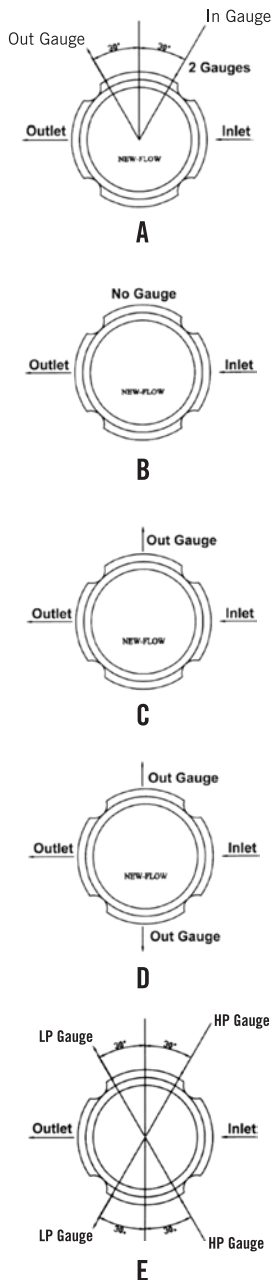


Approvals:

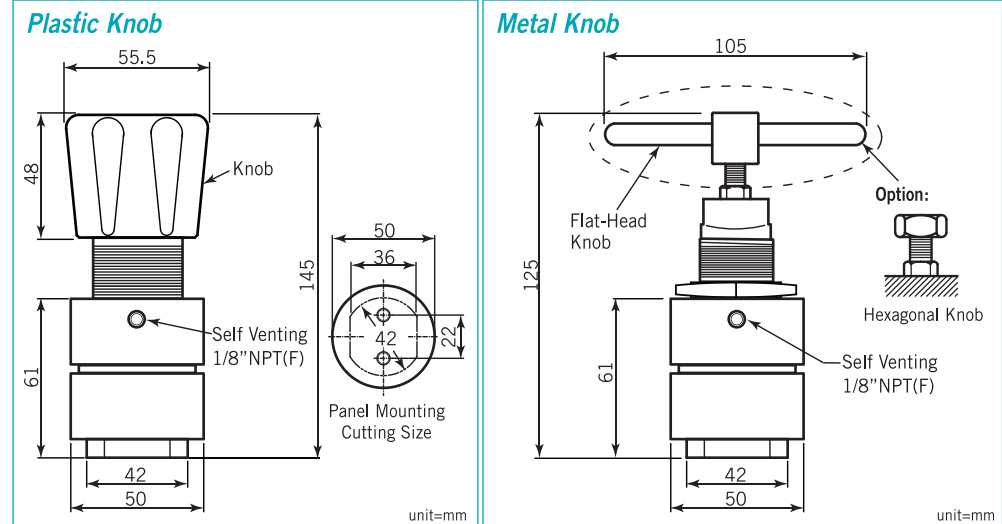
CE 1128

Plastic Knob

### Standard Port Configuration



### Dimensions



### Ordering Information

PRU125	Code	Body Material					
	1	316L stainless steel					
	Code	Knob Material					
	A	Platic	B	Metal (Flat-Head)	C	Metal (Hexagonal)	
	Code	Max. Inlet Pressure					
	1	500 Psig					
	2	3500 Psig					
	Code	Out Pressure Range					
	1	1~25 Psig	2	2~50 Psig	3	2~100 Psig	
	4	3~250 Psig	5	5~500 Psig			
	Code	Seat Material					
	A	Teflon (Max. inlet pressure 500 Psig)					
	B	PFA (Max. inlet pressure 3500 Psig)					
	Code	Port Configuration					
			A	B	C	D	E
	Code	Self Venting					
	W	With	O	Without			
PRU125							Complete Ordering Code