

# PRESSURE REDUCING REGULATOR

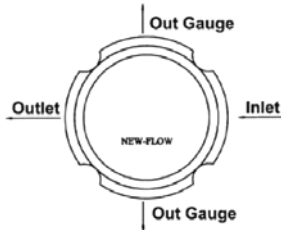
## PRU300

### Technical Data

For using gases and liquids  
**Inlet pressure:** 1.5 Mpa maximum  
**Adjustable outlet pressure in ranges:**  
 0.01~0.2 Mpa (0.1~2 kg/cm<sup>2</sup>)  
 0.05~0.7 Mpa (0.5~7 kg/cm<sup>2</sup>)  
**Operating temperature:** -5 to 60°C  
**Diaphragm material:** Viton with PTFE lining  
**Body material:** SS316  
**Seat material:** PTFE  
**Handle wheel material:** SS  
**Effective flow area:** 4.0 mm  
**Process connection:** ¼" NPT female  
**Two gauge connection ports are:** ¼" NPT female  
**CV:** 0.35

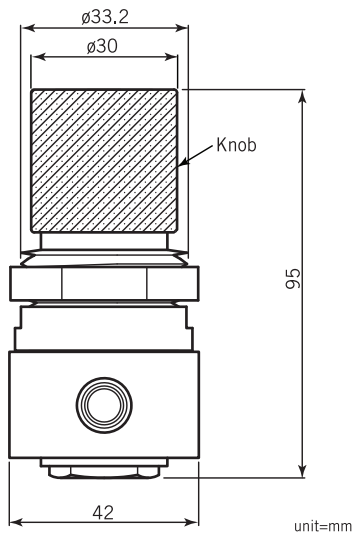


### Standard Port Configuration

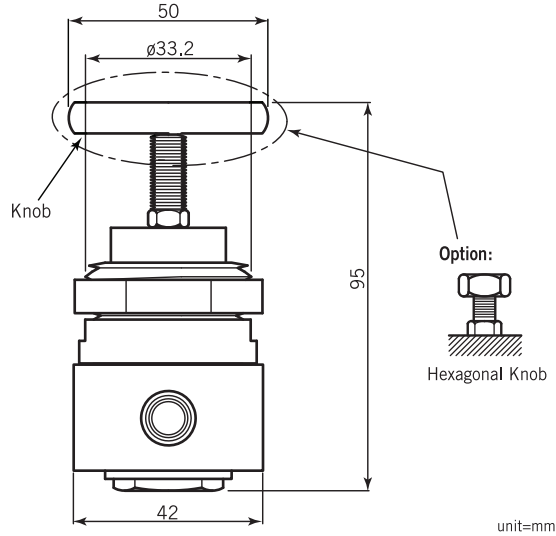


### Dimensions

#### Round Knob



#### Flat-Head Knob



### Ordering Information

PRU300	<b>Code</b>	<b>Body &amp; Knob material</b>			
	1	316 stainless steel			
	A	<b>Code</b>	<b>Knob type</b>		
		Round	B	Metal(Flat-Head)	C
	1	<b>Code</b>	<b>Max. inlet pressure</b>		
		1	1.5 Mpa (15 kg/cm <sup>2</sup> )		
1	<b>Code</b>	<b>Outlet pressure range</b>			
	1	0.01~0.2 Mpa (0.1~2 kg/cm <sup>2</sup> )	2	0.05~0.7 Mpa (0.5~7 kg/cm <sup>2</sup> )	
PRU300					<b>Complete Ordering Code</b>