

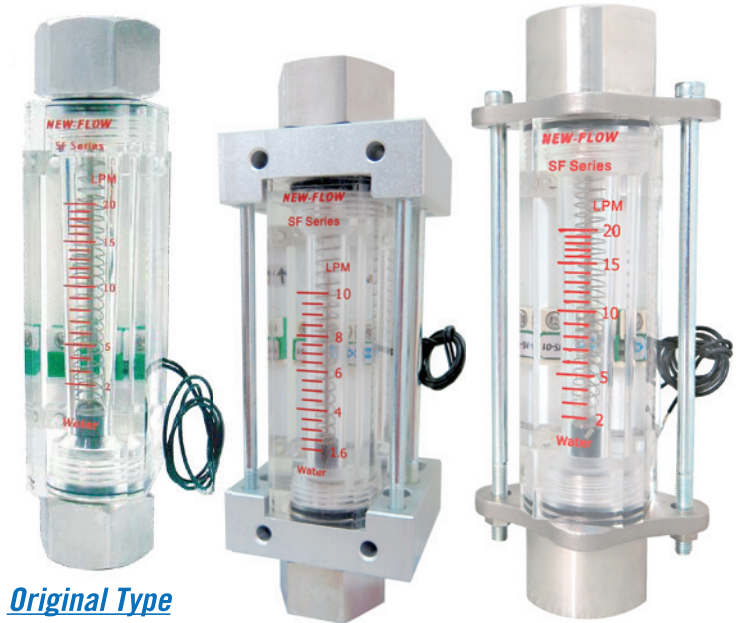
ACRYLIC PLASTIC FLOW METER – Spring Type

SF100 with alarm switch type
without alarm switch type

Technical Data

Service: Liquid, Oil
Wetted Parts Material: Body: Acrylic plastic;
 O-Ring: Viton; Float: magnet cover with PPS plastic;
 Connection: SS316; Spring: SS316
Connection Size: 3/8", 1/2", 3/4" NPT female available
Mounting: Vertical and Horizontal available, various flow directions
Temperature & Pressure Limits: 150 psig (10bar) @100°F(38°C)
Temperature Limit: -24°C~+54°C
Accuracy: ±5% full scale
Alarm Switch: One or Two setting points, form A N.O. type bistable
 reed switch
Switch Rating: AC 125V 0.5A / DC 100V 10W / Max. DC 250V<40mA
Weight: 0.45~0.5 kg
 (Contact setting point should be within 10% to 80% of FS)

Approvals:

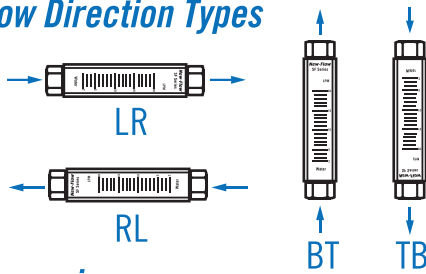


Original Type

Strong Type

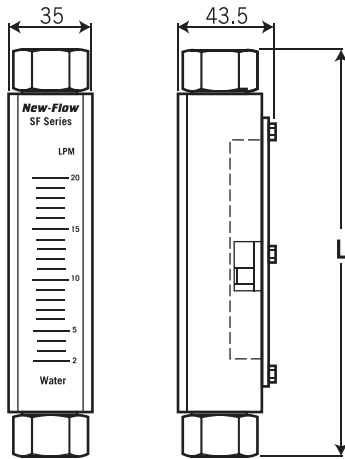
Fixed Type

Flow Direction Types



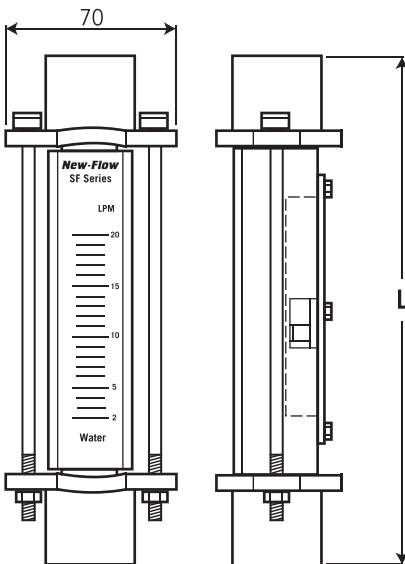
Dimensions-mm

SF-100-G: Original Type



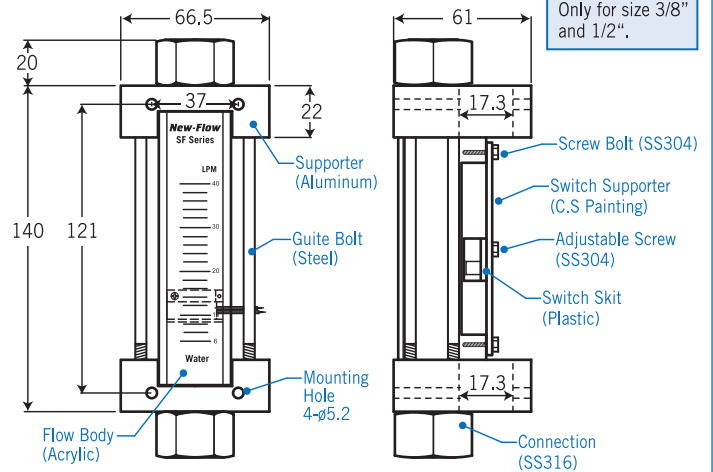
L=150mm (for 3/8")
 L=150mm (for 1/2")
 L=150mm (for 3/4")

SF-100-F: Fixed Type



L=166mm (for 3/8")
 L=166mm (for 1/2")
 L=166mm (for 3/4")

SF-100-S: Strong Type



NOTE.
 Only for size 3/8"
 and 1/2".

Ordering Information

SF100	Code	Type				
	G	Original Type	S	Strong Type	F	Fixed Type
	Code	Flow Range(LPM-Litter per Minute)				
	A	0.6~4 LPM	B	1.6~10 LPM	C	2~20 LPM
	D	6~40 LPM	E	3~30 LPM	F	5~50 LPM
	G	6~60 LPM				
	Code	Alarm Switch				
	1R	One setting point		2R	Two setting point	
	O	Without alarm				
	Code	Process Connection (Female)				
	(A)	3/8"NPT		(B)	1/2"NPT	
	(C)	3/4"NPT				
	Code	Flow Direction				
	(BT)	Bottom to Top		(TB)	Top to Bottom	
	(RL)	Right to Left		(LR)	Left to Right	
SF100						Complete Ordering Code