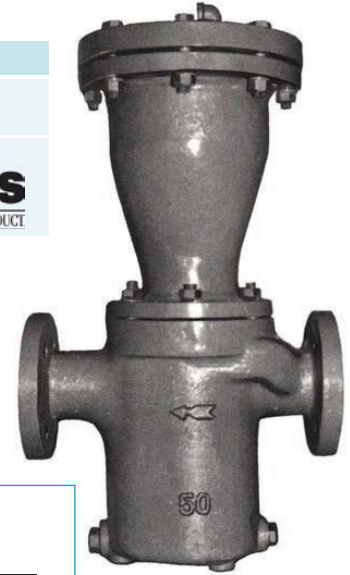


AIR ELIMINATOR STA

Approvals:

CE 1128

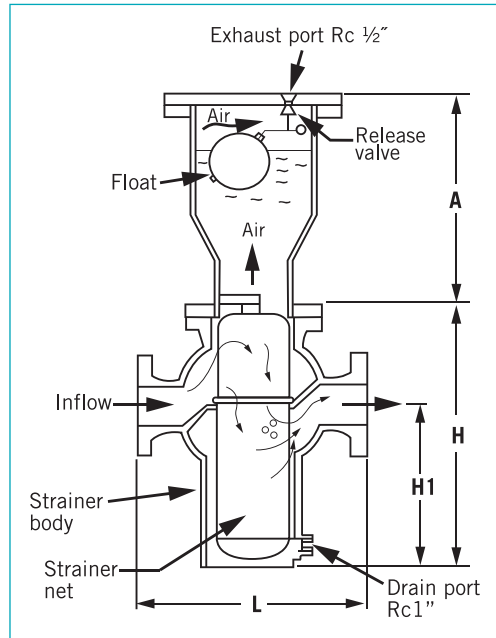


Principles

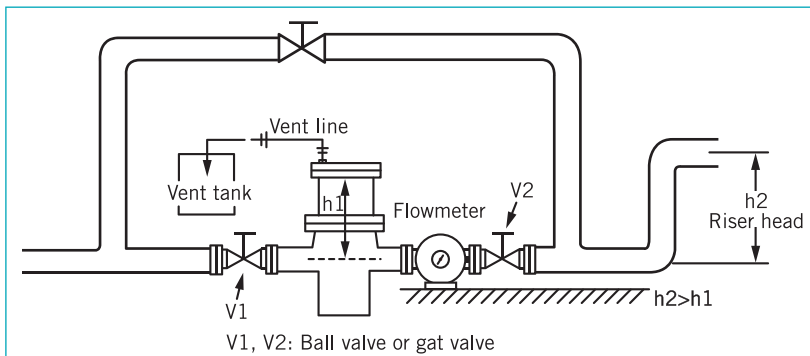
- a. When the float lowers down, the release valve opens. Liquid fluid flows through the Strainer eliminator. Air should be separated from liquid to upper port, and then relieved to outside through the release valve.
- b. When float rises, the release valve is closed. When the float is rising as liquid level increases, the release valve closes at the same time.

Dimensions-mm

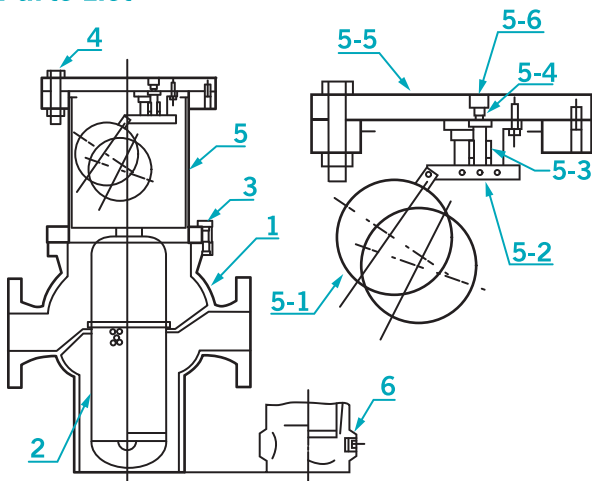
Diameter (mm)	Flange Rating	Dimension (mm)			
		L	H	H1	A
50	JIS 10 kgf/cm ² FF	325	275	175	300
	ANSI 150#RF	325	275		
65	JIS 10 kgf/cm ² FF	300	300	205	300
	ANSI 150#RF	300	300		
80	JIS 10 kgf/cm ² FF	390	360	250	300
	ANSI 150#RF	390	360		
100	JIS 10 kgf/cm ² FF	425	380	250	310
	ANSI 150#RF	425	380		
125	JIS 10 kgf/cm ² FF	475	430	300	310
	ANSI 150#RF	475	430		
150	JIS 10 kgf/cm ² FF	475	500	400	310
	ANSI 150#RF	475	500		
200	ANSI 150#RF	640	700	510	310
250	ANSI 150#RF	780	900	660	310



Installation



Parts List



1	Strainer Body
2	Strainer Screen
3	Hex Bolt for Body & Air Eliminator
4	Hex Bolt for Cover of Air Eliminator
5	Air Eliminator Parts
5-1	Float (SS304)
5-2	Float Alarm Rod (SS304)
5-3	Valve Stem (SS304) with Viton Plug
5-4	Valve Seat (SS304)
5-5	Air Eliminator Cover
5-6	Vent Port
6	Drain Port

